

**5/S1**  
v 3.3 (en)

## KITCHEN HOODS

NZK, NZR, NZP, NSK, NSR, NSP,  
NES, NEZ



**TABLE OF CONTENTS**

Types and sizes.....	325
Conventional wall hoods.....	326
Conventional ceiling hoods.....	328
Economic hoods.....	330
Accessories.....	334
Fresh air supply.....	335
Number of rows.....	337

Definition of symbols:

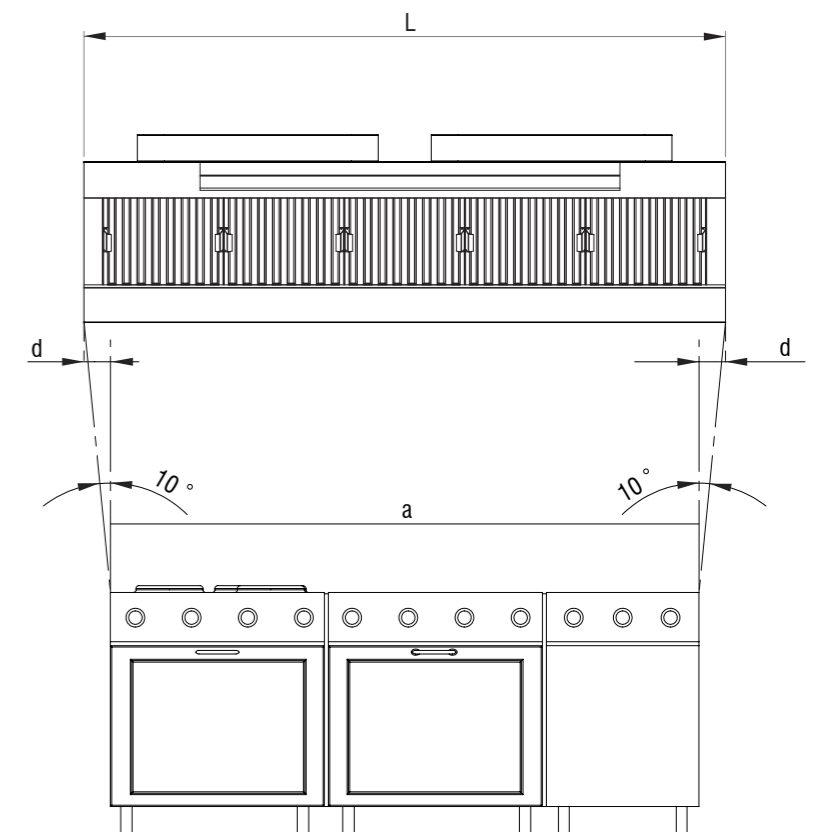
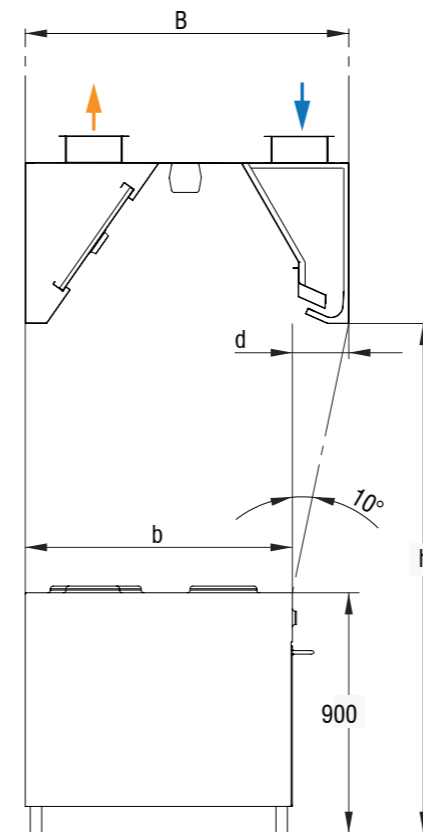
B [m]	- Kitchen hood width	ExS [m]	- Exhaust connection dimensions (eco-hoods)
H [m]	- Kitchen hood height	V [m³/h]	- Airflow rate
L [m]	- Kitchen hood length	v [m/s]	- Effective air velocity
d [m]	- Overlap	Δp [Pa]	- Pressure drop
b [m]	- Appliance width	axbxc [m]	- Kitchen hood dimensions
h [m]	- Installation height		
FxO [m]	- Exhaust connection dimensions		

**Construction**

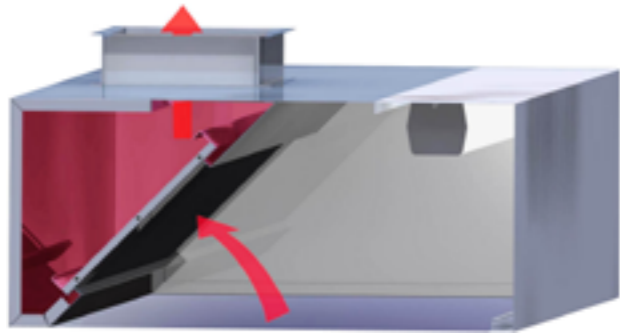
Hood is made of stainless steel AISI 430, according to DIN 59382. Unique construction enables all condensation, from inner surfaces and filter units, to be drained in one or more draining taps.  
Grease traps and fire resistant grease traps can be installed without construction changes.  
Air volume quantities are determined by VDI 2052.

**Hood size**

Hood size is determined by size of kitchen appliances from which air should be extracted.  
For wall or ceiling hood with installation height  $h=2,1m$ , outer sides of hood should overhang ends of equipment by minimum of 100mm.  
If installation height is  $h>2,1m$ , 10° angle between end of equipment and hood side should be achieved (see picture below).  
For economical hoods, width should be increased by the width of inactive edge (wall version - 200mm, ceiling version - 400mm).



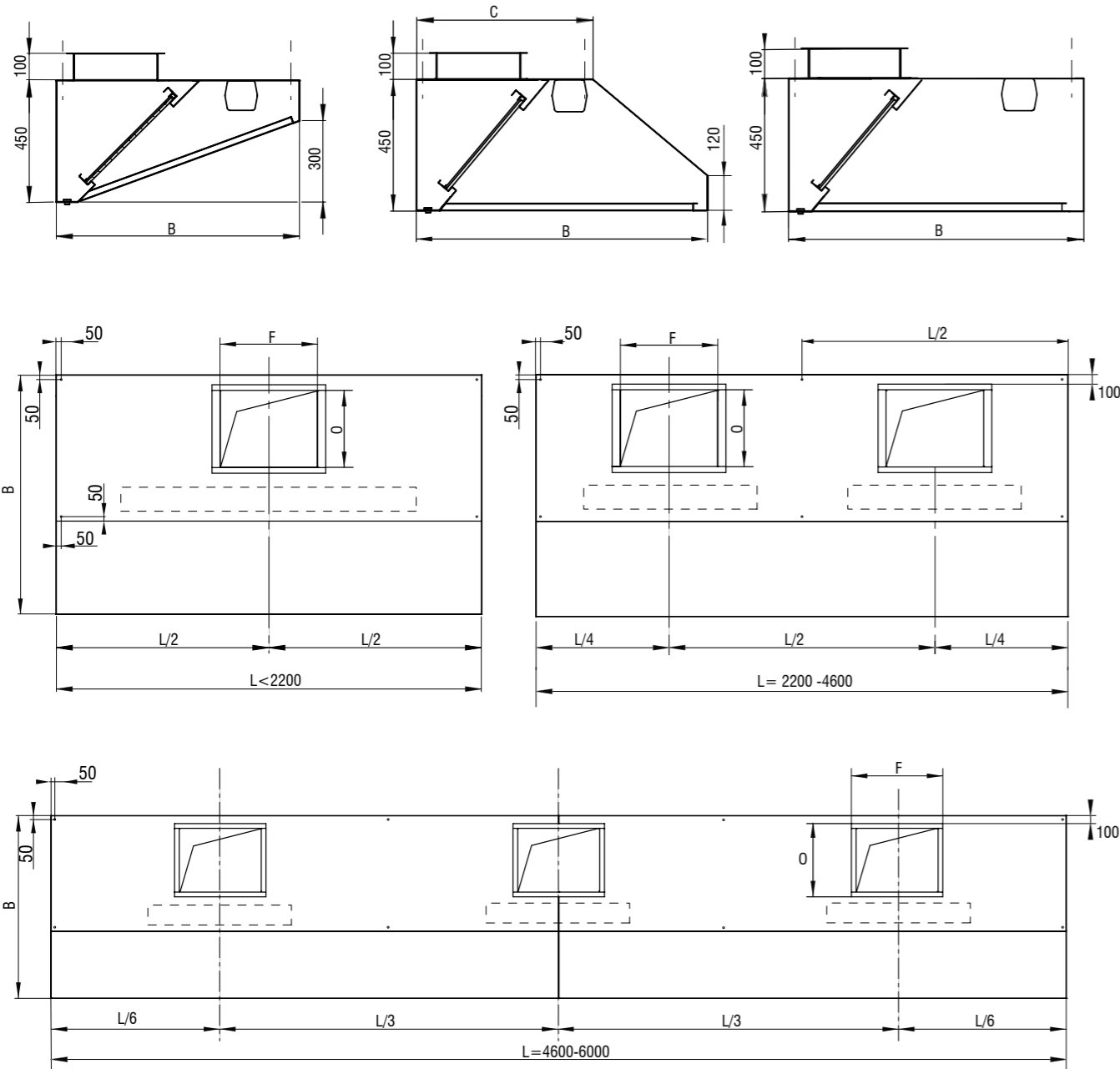
CONVENTIONAL WALL HOODS



NZK Inclined wall hood

NZR Horizontal wall hood

NZP Rectangular wall hood



\* displays suspension for model NZR

Standard hood widths (B)

B	900	1000	1100	1200
C	670	725	770	870

Standard height H = 450

- Other sizes available on request
- Appropriate number of FM filters is delivered with hood
- Fire resistant filters PNF or combined filters KFM (combination of PNF and FM) are delivered on request
- Material: Stainless steel sheet

Ordering key:

- hood, wall, inclined, length 3000, width 1000 height 450;

NZK 3000 x 1000 x 450

Outer dimensions L x B x H

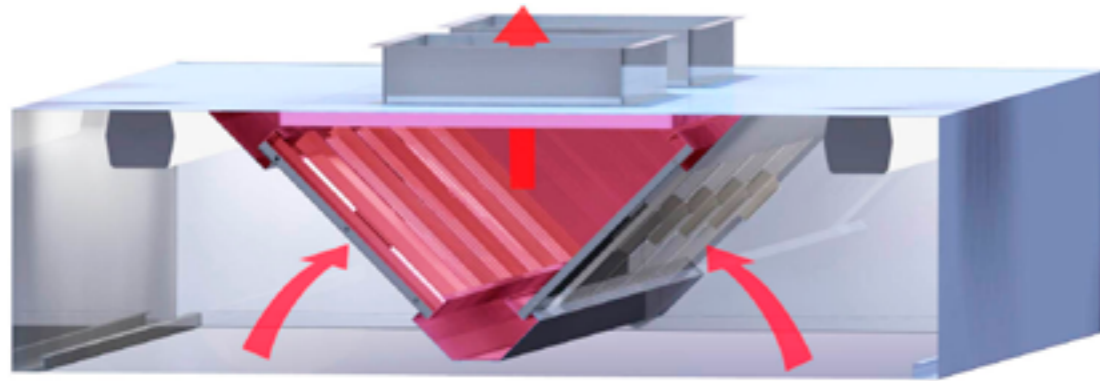


Room entering problems should be considered when ordering larger dimension hood. In such case, we can make multipart hood.

Width	900	1000	1100	1200
-------	-----	------	------	------

Standard length L	Draining taps No.	Filter units No.	Nominal extract air volume	Extract air connection F x O		Lightning characteristics			No. of suspensions M8
				No. of connections	Dimensions	No. of lamps	Lamp power	Lamp length	
mm	kom	kom	m³/h	kom	mm	kom	W	mm	kom
1000	1	2	1050	1	400 x 310	1	18	660	4
1200	1	2	1300	1	400 x 310	1	18	660	4
1400	1	3	1550	1	400 x 310	1	18	660	4
1600	1	3	1800	1	400 x 310	1	36	1270	4
1800	1	4	2000	1	400 x 310	1	36	1270	4
2000	1	4	2250	1	400 x 310	1	36	1270	6
2200	1	5	2500	2	400 x 310	1	58	1570	6
2400	1	5	2800	2	400 x 310	1	58	1570	6
2600	1	5	2950	2	400 x 310	2	18	660	6
2800	1	6	3200	2	400 x 310	2	18	660	6
3000	2	6	3450	2	400 x 310	2	36	1270	6
3200	2	6	3700	2	400 x 310	2	36	1270	6
3400	2	6	3900	2	400 x 310	2	36	1270	6
3600	2	6	4150	2	400 x 310	2	36	1270	6
3800	2	8	4400	2	400 x 310	2	36	1270	8
4000	2	8	4600	2	400 x 310	2	36	1270	8
4200	2	8	4900	2	400 x 310	2	58	1570	8
4400	2	8	5100	2	400 x 310	2	58	1570	8
4600	2	8	5350	2	400 x 310	2	58	1570	8
4800	2	10	5600	3	400 x 310	2	58	1570	8
5000	2	10	5800	3	400 x 310	2	58	1570	8
5200	2	10	6050	3	400 x 310	2	58	1570	8
5400	2	12	6300	3	400 x 310	2	58	1570	8
5600	2	12	6550	3	400 x 310	2	58	1570	8
5800	2	12	6750	3	400 x 310	3	58	1570	8
6000	3	12	7000	3	400 x 310	3	58	1570	8

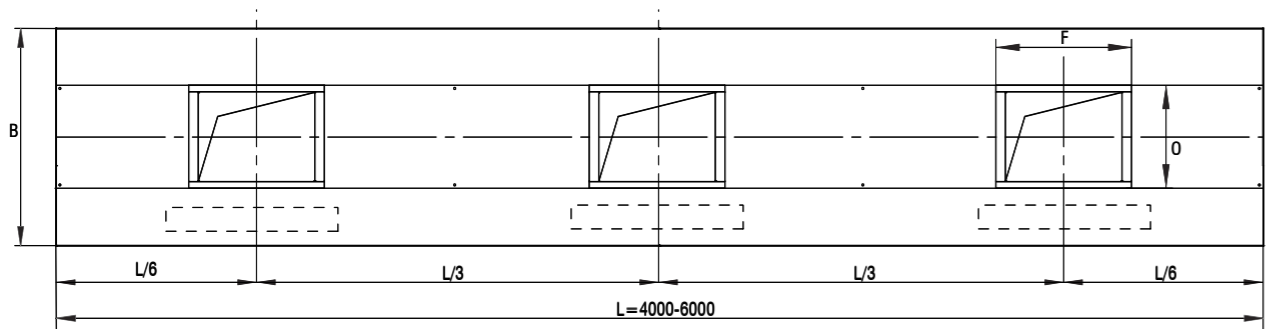
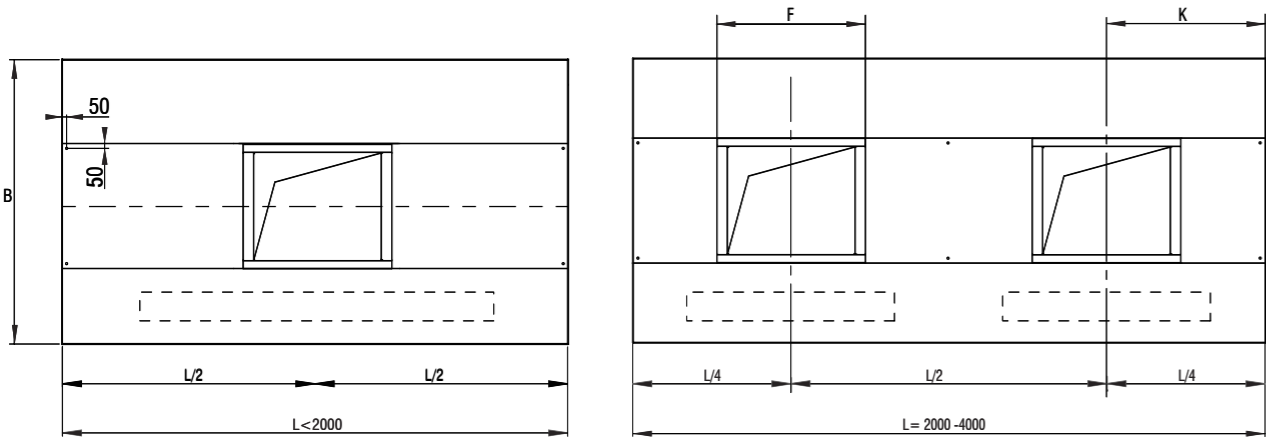
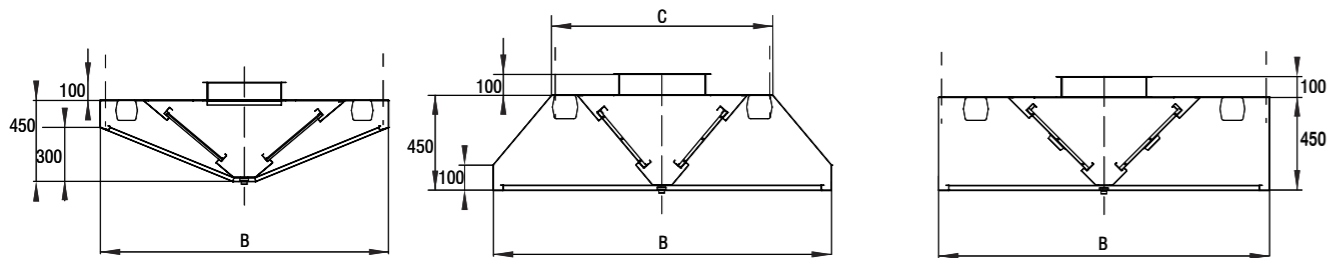
CONVENTIONAL CEILING HOODS



NSK Inclined ceiling hood

NSR Horizontal ceiling hood

NSP Rectangular ceiling hood



Standard hood widths (B)

B	1400	1600	1800	2000	2200	2400
C	1020	1140	1245	1340	1415	1615

Standard height H = 450

- Other sizes available on request
- Appropriate number of FM filters is delivered with hood
- Fire resistant filters PNF or combined filters KFM (combination of PNF and FM) are delivered on request
- Material: Stainless steel sheet

Ordering key:

- hood, ceiling, inclined, length 3800, width 1800 height 450;

NSK 3800 x 1800 x 450

Outter dimensions L x B x H



Room entering problems should be considered when ordering larger dimension hood. In such case, we can make multipart hood.

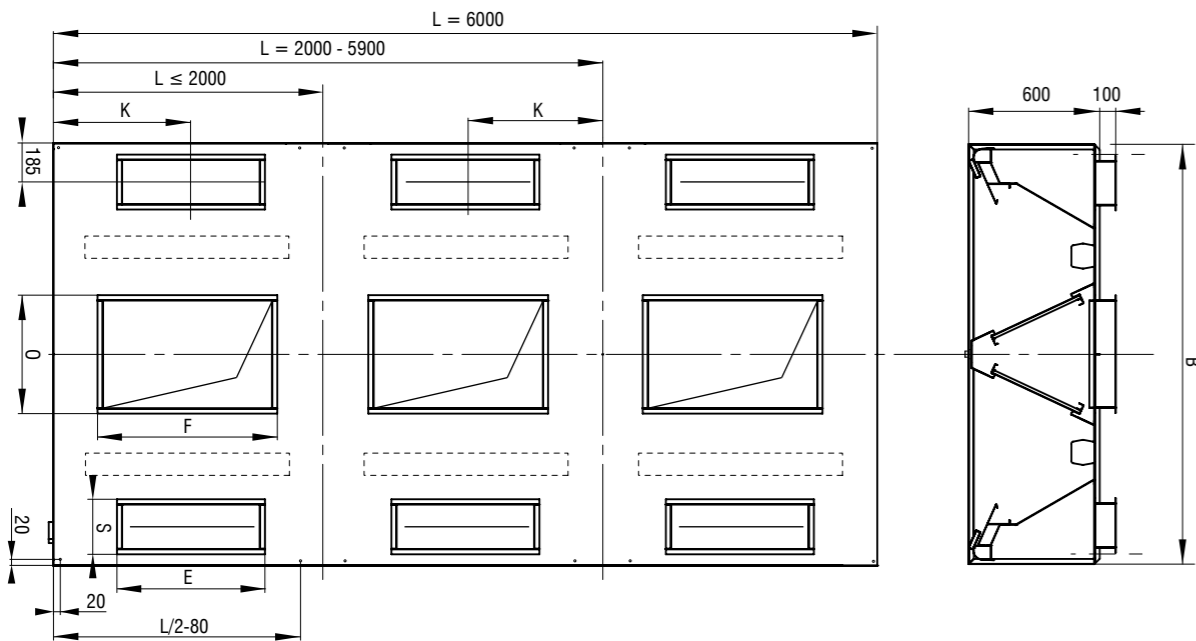
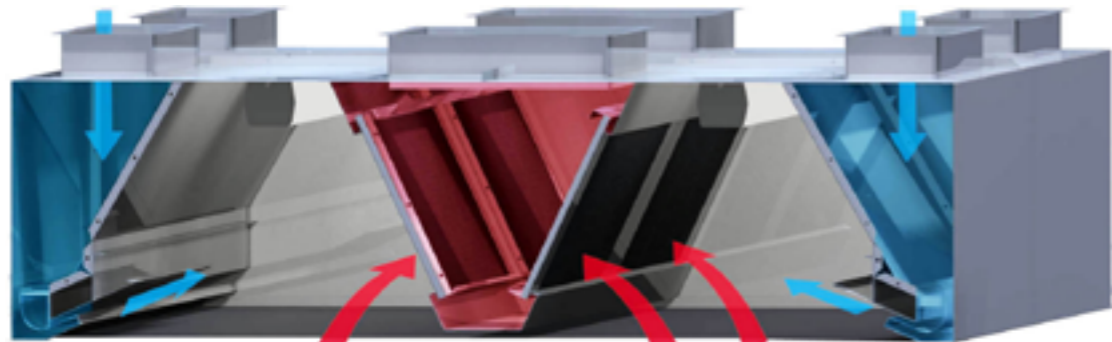
Width	1400	1600	1800	2000	2200
-------	------	------	------	------	------

Standard length L	Draining taps No.	Filter units No.	Nominal extract air volume	Extract air connection F x O		Lightning characteristics			No. of suspensions
				No. of connections	Dimensions	No. of lamps	Lamp power	Lamp length	
mm	kom	kom	m <sup>3</sup> /h	kom	mm	kom	W	mm	kom
1000	1	4	2100	1	560 x 410	2	18	660	4
1200	1	4	2600	1	560 x 410	2	18	660	4
1400	1	4	3100	1	560 x 410	2	18	660	4
1600	1	6	3600	1	560 x 410	2	36	1270	4
1800	1	8	4000	1	560 x 410	2	36	1270	4
2000	1	8	4500	2	560 x 410	2	36	1270	4
2200	1	8	5000	2	560 x 410	2	58	1570	4
2400	1	10	5400	2	560 x 410	2	58	1570	4
2600	1	10	5900	2	560 x 410	2	58	1570	6
2800	1	12	6400	2	560 x 410	2	58	1570	6
3000	2	12	6900	2	560 x 410	4	36	1270	6
3200	2	12	7400	2	560 x 410	4	36	1270	6
3400	2	12	7800	2	560 x 410	4	36	1270	6
3600	2	16	8300	2	560 x 410	4	36	1270	6
3800	2	16	8800	2	560 x 410	4	36	1270	6
4000	2	16	9200	2	560 x 410	4	58	1570	6
4200	2	16	9800	3	560 x 410	4	58	1570	6
4400	2	16	10200	2	560 x 410	4	58	1570	8
4600	2	20	10700	3	560 x 410	4	58	1570	8
4800	2	20	11200	3	560 x 410	4	58	1570	8
5000	2	20	11600	3	560 x 410	4	58	1570	8
5200	2	24	12100	3	560 x 410	6	36	1270	8
5400	2	24	12600	3	560 x 410	6	36	1270	8
5600	2	24	13100	3	560 x 410	6	36	1270	8
5800	3	24	13500	3	560 x 410	6	58	1570	8
6000	3	24	14000	3	560 x 410	6	58	1570	8

**ENERGY-SAVING HOODS (ECO-HOODS)**

- Energy saving hood operates with approximately 70% of external unheated air, supplied through a special duct and fan, and delivered through a jet profiled slot to extraction filters.
- High lateral velocity of a cold air jet induces a low pressure zone beneath the hood and enables efficient exhaust of vapours, smoke, grease particles and odours.
- Cold air jet lowers the filter temperature below grease condensation temperature (40°C), thus fostering grease separation and condensation of vapours.
- External air ducts are heat insulated to prevent condensation.
- Energy saving hoods can easily satisfy minimal ventilation requirements of 35 m³/h per m² according to VDI 2052.
- The result of that is less grease in exhaust system, easy cleaning and maintenance, lower risk of fire and preservation of building roof or facade.
- However, in order to achieve full efficiency of this hood type, some 30% of exhaust air in the kitchen have to be restored by fresh air that needs to be heated to 20°C in winter.

Energy saving ceiling hood (twosided), NES



Standard hood widths (B)

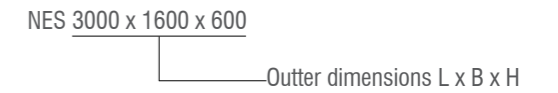
B	1600	1800	2000	2200	2400	2600
	2800	3000				

Standard height H = 600

- Other sizes available on request
- Appropriate number of FM filters is delivered with hood
- Fire resistant filters PNF or combined filters KFM (combination of PNF and FM) are delivered on request
- Material: Stainless steel sheet

Ordering key:

- hood, energy-saving, ceiling, length 3000, width 1600 and height 600;

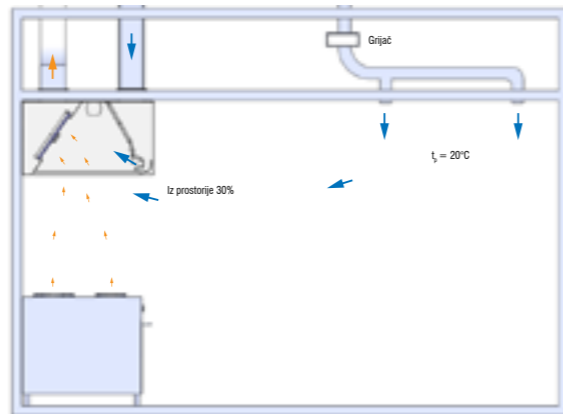
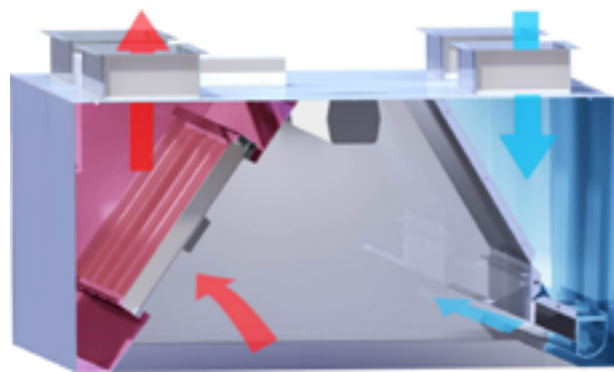


Room entering problems should be considered when ordering larger dimension hood. In such case, we can make multipart hood.

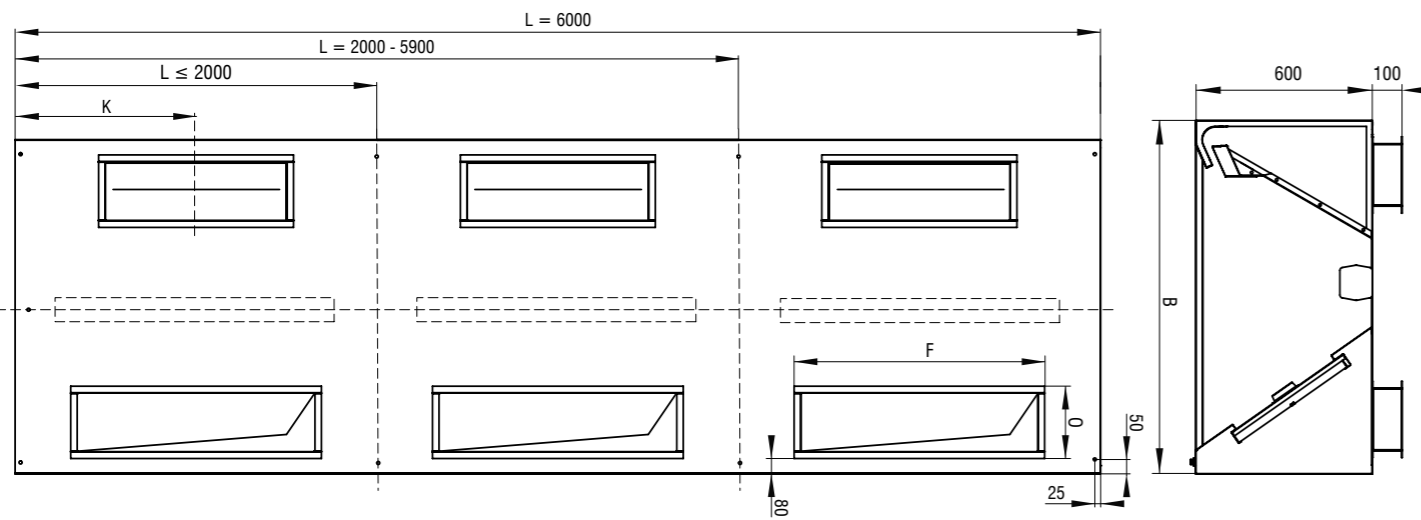
Width	1600	1800	2000	2200	2400	2600	2800	3000
-------	------	------	------	------	------	------	------	------

Standard length L	Draining taps No.	Filter units No.	Nominal extract air volume	Supply air connection E x O		Extract air connection F x O		Lighting characteristics			No. of suspensions M8	Connection K
				No. of connections	Dimensions	Dimensions	No. of connections	No. of lamps	Lamp power	Lamp length		
mm	kom	kom	m³/h	kom	mm	mm	kom	kom	W	mm	kom	mm
1600	1	6	2400	2	950 x 210	1000 x 510	1	2	36	1270	4	800
1800	1	8	2600	2	950 x 210	1000 x 510	1	2	36	1270	4	900
2000	1	8	3000	2	1200 x 210	1000 x 510	1	2	58	1570	4	1000
2200	1	8	3200	4	650 x 210	700 x 510	2	2	58	1570	4	550
2400	1	10	4200	4	650 x 210	700 x 510	2	2	58	1570	4	600
2600	1	12	4900	4	650 x 210	800 x 510	2	2	58	1570	4	650
2800	1	12	5600	4	650 x 210	800 x 510	2	4	36	1270	6	700
3000	2	12	6000	4	850 x 210	800 x 510	2	4	36	1270	6	750
3200	2	12	6500	4	850 x 210	800 x 510	2	4	36	1270	8	800
3400	2	12	7900	4	950 x 210	800 x 510	2	4	36	1270	8	850
3600	2	14	8300	4	950 x 210	800 x 510	2	4	36	1270	8	900
3800	2	16	8800	4	950 x 210	1000 x 510	2	4	58	1570	8	950
4000	2	16	9400	4	1200 x 210	1000 x 510	2	4	58	1570	8	1000
4200	2	16	9700	4	1200 x 210	1000 x 510	2	4	58	1570	8	1050
4400	2	16	10200	4	1200 x 210	1000 x 510	2	4	58	1570	8	1100
4600	2	18	10600	4	1200 x 210	1000 x 510	2	4	58	1570	8	1150
4800	2	18	11200	4	1200 x 210	1000 x 510	2	4	58	1570	8	1200
5000	2	20	11600	4	1200 x 210	1000 x 510	2	4	58	1570	8	1250
5200	2	20	12000	6	850 x 210	800 x 510	3	6	58	1570	10	865
5400	2	20	12500	6	850 x 210	800 x 510	3	6	58	1570	10	900
5600	2	20	13000	6	850 x 210	800 x 510	3	6	58	1570	10	935
5800	2	22	13500	6	950 x 210	1000 x 510	3	6	58	1570	10	965
6000	3	24	13900	6	950 x 210	1000 x 510	3	6	58	1570	12	1000

Energy saving ceiling hood (onesided), NEZ



Dimensions



Standard hood widths (B)

<b>B</b>	1000	1100	1200	1300	1400	1500
	1600					

Standard height H = 600

- Other sizes available on request
- Appropriate number of FM filters is delivered with hood
- Fire resistant filters PNF or combined filters KFM (combination of PNF and FM) are delivered on request
- Material: Stainless steel sheet

Ordering key:

- hood, energy saving, wall, length 3000, width 1600 and height 600;

NEZ 3000 x 1600 x 600

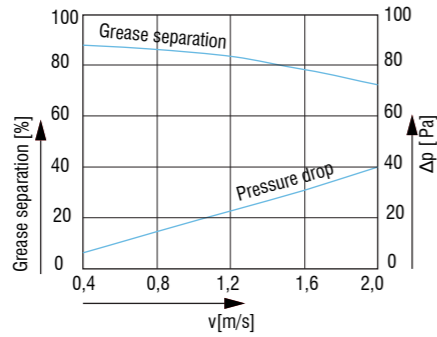
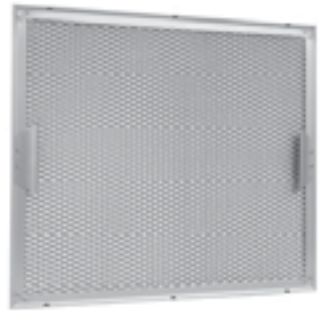
Outer dimensions L x B x H



Room entering problems should be considered when ordering larger dimension hood. In such case, we can make multipart hood.

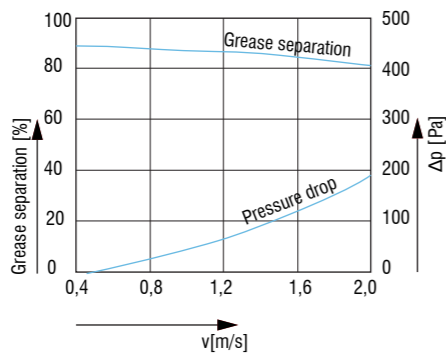
Width	1000	1100	1200	1300	1400	1500
-------	------	------	------	------	------	------

Standard length L	Draining taps No.	No. of filter units	Nominal extract air volume	Supply air connection E x S		Extract air connection F x O		Lamp characteristics			No. of suspensions	Connection K
				No. of connections	Dimensions	Dimensions	No. of connections	No. of lamps	Lamp power	Lamp length		
mm	kom	kom	m <sup>3</sup> /h	kom	mm	mm	kom	kom	W	mm	kom	mm
1000	1	2	1000	1	650 x 210	850 x 210	1	1	18	660	4	500
1200	1	2	1100	1	650 x 210	850 x 210	1	1	18	660	4	600
1400	1	2	1300	1	650 x 210	1200 x 210	1	1	18	660	4	700
1600	1	3	1800	1	950 x 210	1200 x 210	1	1	36	1270	4	800
1800	1	3	2100	1	950 x 210	1200 x 210	1	1	36	1270	4	900
2000	1	4	2310	1	1200 x 210	1200 x 210	1	1	58	1570	6	1000
2200	1	4	2550	2	650 x 210	850 x 210	2	1	58	1570	6	550
2400	1	5	2790	2	650 x 210	850 x 210	2	1	58	1570	6	600
2600	1	6	3000	2	650 x 210	850 x 210	2	1	58	1570	6	650
2800	1	6	3300	2	850 x 210	850 x 210	2	1	58	1570	6	700
3000	2	6	3450	2	850 x 210	950 x 210	2	2	36	1270	6	750
3200	2	6	3680	2	850 x 210	950 x 210	2	2	36	1270	6	800
3400	2	6	3950	2	950 x 210	950 x 210	2	2	36	1270	6	850
3600	2	6	4150	2	950 x 210	950 x 210	2	2	36	1270	6	900
3800	2	8	4400	2	950 x 210	1200 x 210	2	2	58	1570	8	950
4000	2	8	4700	2	1200 x 210	1200 x 210	2	2	58	1570	8	1000
4200	2	8	4900	2	1200 x 210	1200 x 210	2	2	58	1570	8	1050
4400	2	8	5100	2	1200 x 210	1200 x 210	2	2	58	1570	8	1100
4600	2	10	5300	2	1200 x 210	1200 x 210	2	2	58	1570	8	1150
4800	2	10	5600	2	1200 x 210	1200 x 210	2	2	58	1570	8	1200
5000	2	10	5800	2	1200 x 210	1200 x 210	2	2	58	1570	8	1250
5200	2	10	6000	3	850 x 210	950 x 210	3	3	58	1570	8	865
5400	2	12	6300	3	850 x 210	950 x 210	3	3	58	1570	8	900
5600	2	12	6500	3	850 x 210	950 x 210	3	3	58	1570	8	935
5800	2	12	6700	3	950 x 210	1200 x 210	3	3	58	1570	8	965
6000	3	12	6950	3	950 x 210	1200 x 210	3	3	58	1570	8	1000



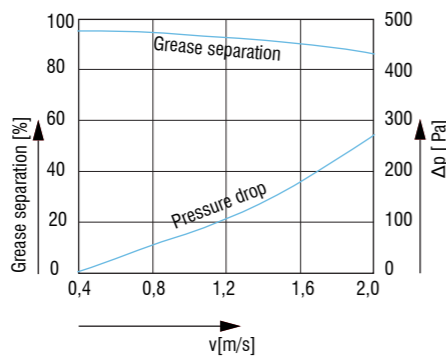
Grease trap filter, type FM

- Filter casing made of aluminium sheet, filter insert made of expanded aluminium sheet
- Filter inserts can be easily removed from casing for cleaning
- Advantages:
  - High efficiency of grease separation (up to 90%)
  - Relatively small air pressure drop
- Recommended air velocity at filter inlet:  $v = 1.2$  m/s.
- Typical filter surface treatment: anodised in natural colour of Al



Fire resistant grease trap filter, type PNF

- This type of grease filter is designed for kitchens where increased inflammability hazard exists
- Made of aluminium sheet. Smooth surfaces enable easy cleaning.
- Can be washed in a dishwasher. Sharp airstream bends between the blades prevent penetration of flames (that may occur on the working surface) to the exhaust hood
- Advantages:
  - High efficiency of grease separation (up to 90%)
  - Relatively small air pressure drop
- Recommended air velocity at filter inlet,  $v = 0.8 - 1.5$  m/s. Inlet velocity higher than 1.5 m/s causes higher level of exhaust duct noise



Combined grease filter, type KFM

- Advantages:
  - High efficiency of grease separation (more than 90%)
  - Prevention of flame penetration into the exhaust duct system
  - Easy cleaning and maintainance
  - Washing in a dishwasher
- Grease separation efficiency of energy-saving exhaust hoods is higher than of conventional hoods. The main reason lies with intensive cooling of filters, causing higher condensation rate of moisture and grease droplets. These are also main parameters for assessing quality of exhaust air filtering in hotel and restaurant kitchens
- Recommended air velocity through the combined KFM filter is  $v = 0.8 - 1.5$  m/s. Velocity higher than 1.5 m/s causes higher level of exhaust duct noise

Standard filter dimensions

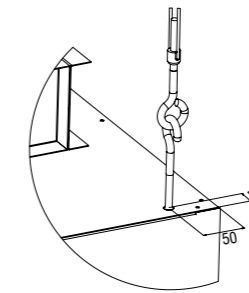
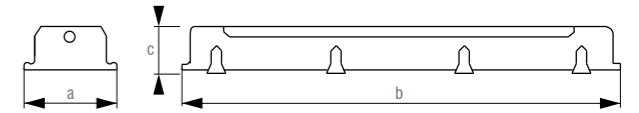
400 x 400
400 x 450
450 x 400
450 x 450



Power [W]	Light source	Dimensions a x b x c [mm]
18	T8 G13	135x705x90
36	T8 G13	135x1305x90
54	T8 G13	135x1605x90

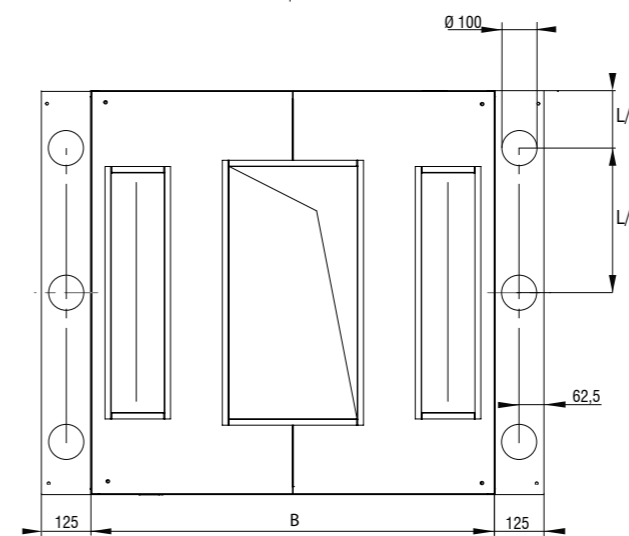
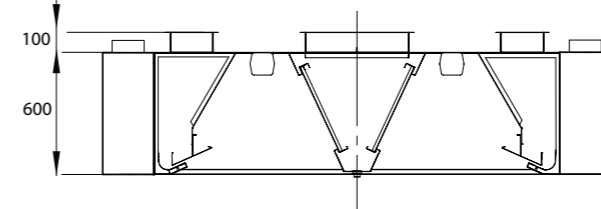
Inox lamp

- fluorescent, watertight inox lamp
- casing made of stainless steel sheet
- difusor made of tempered glass
- all electric parts are placed on white metal board with aluminium shade



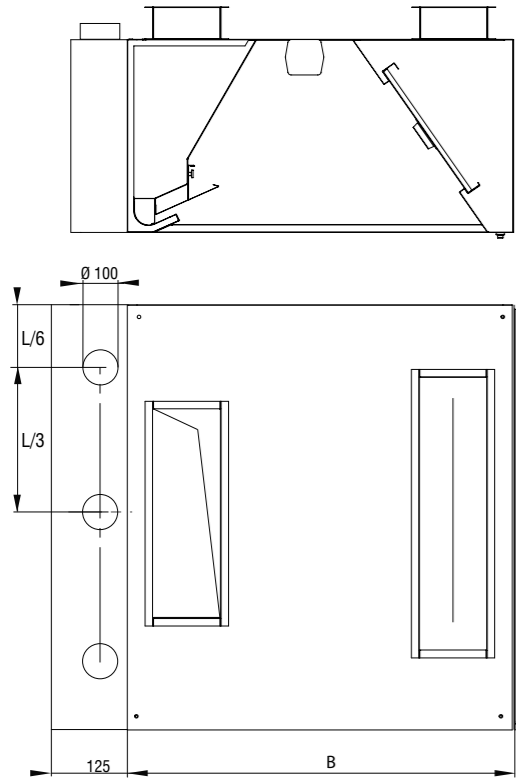
Suspension elements

- One suspension set consists of:
  - tensioner
  - hooks (3 pcs)
  - concrete anchor  $\varnothing 12$  mm
  - chain 1 m



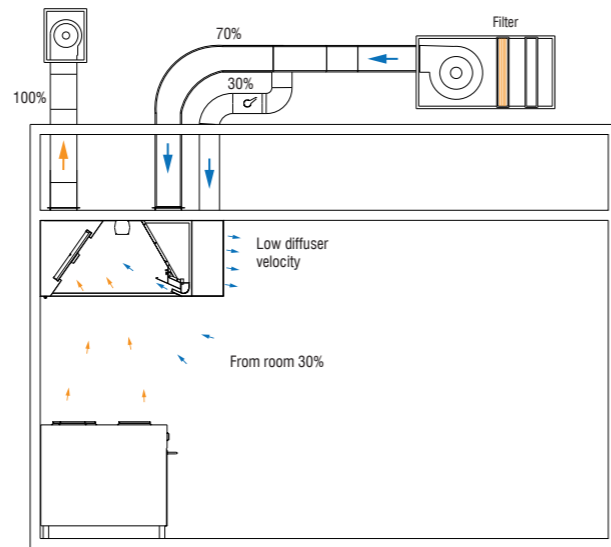
Fresh air supply (NES)

Standard length	Fresh air supply		
	No. of connections	Distance	Dimensions
mm	pcs	mm	mm
1600 - 2000	4	L/2	$\varnothing 100$
2200 - 2800	6	L/3	$\varnothing 100$
3000 - 4200	8	L/4	$\varnothing 100$
4400 - 6000	12	L/6	$\varnothing 100$



Fresh air supply (NEZ)

Standard length	Fresh air supply connection		
	No. of connections	Distance	Dimensions
mm	pcs	mm	mm
1000 - 1400	1	L/2	Ø 100
1600 - 2000	2	L/2	Ø 100
2200 - 2800	3	L/3	Ø 100
3000 - 4200	4	L/4	Ø 100
4400 - 6000	6	L/6	Ø 100



Number of rows

L/B	1400	1600	1800	2000	2200	2400	2600	2800	3000
1000									
1200									
1400									
1600									
1800									
2000									
2200									
2400									
2600									
2800									
3000									
3200									
3400									
3600									
3800									
4000									
4200									
4400									
4600									
4800									
5000									
5200									
5400									
5600									
5800									
6000									

Color legend:

	1-row kitchen hood
	2-row kitchen hood
	3-row kitchen hood
	4-row kitchen hood
	1 or 2-row option kitchen hood
	2 or 3-row option kitchen hood